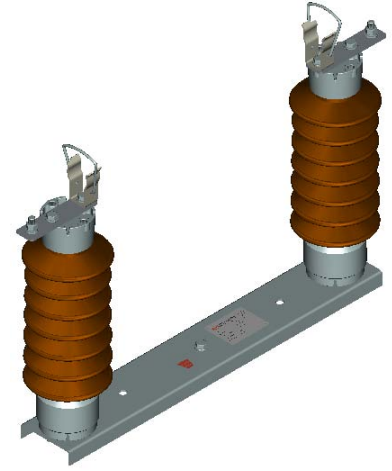
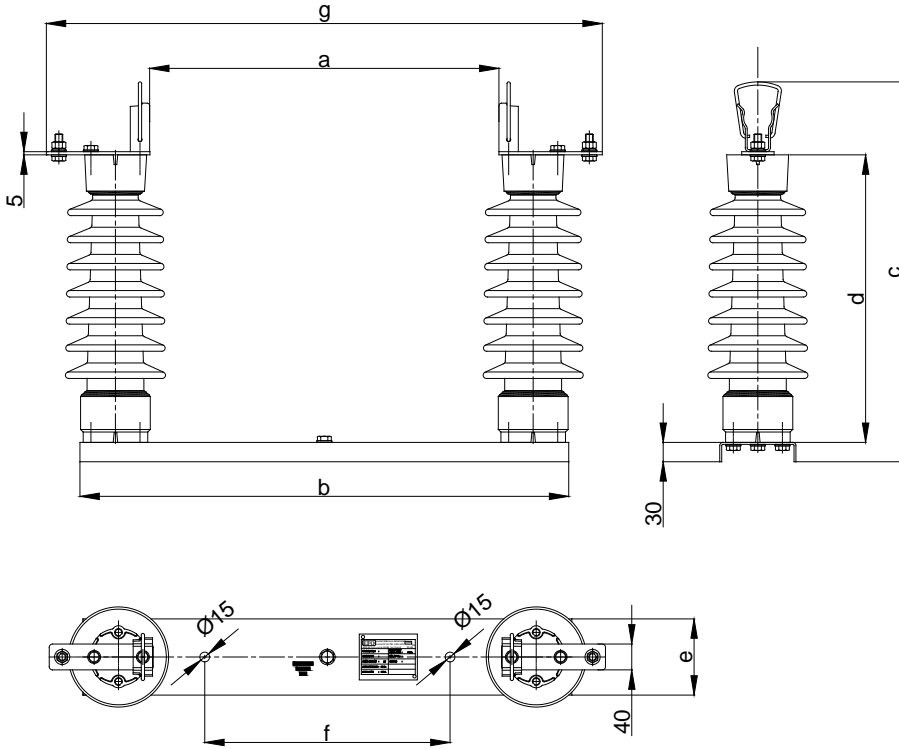


M.V Outdoor Fuse Base

IEC 60129 TS 565 60129



| Rated Voltage (kV) | Fuse Rated Current (A) | a | b | c | | d | | e | f | g | Weight (kg) (without fuses) | |
|--------------------|------------------------|-----|-----|---------------------|--------------------|---------------------|--------------------|-----|-----|-----|-----------------------------|--------------------|
| | | | | Porcelain Insulator | Silicone Insulator | Porcelain Insulator | Silicone Insulator | | | | Porcelain Insulator | Silicone Insulator |
| 12 | 2 to 200 | 296 | 512 | 358 | 393 | 215 | 250 | 118 | 180 | 616 | 14,9 | 6,9 |
| 17,5 | | 371 | 587 | 398 | 393 | 255 | 250 | 118 | 225 | 191 | 17,8 | 6,9 |
| 24 | | 443 | 662 | 448 | 393 | 305 | 250 | 118 | 300 | 766 | 22,9 | 6,9 |
| 36 | | 541 | 757 | 588 | 503 | 445 | 360 | 118 | 380 | 861 | 29,7 | 9,7 |

·Dimensions in mm.

·The fuse base frame is made of steel sheet profiles and hot dip galvanized.

·All the current - carrying parts of the fuse bases are made of galvanic silver-coated electrolytical copper.

·The fuse bases are delivered with supporting insulators made of porcelain or silicon rubber.